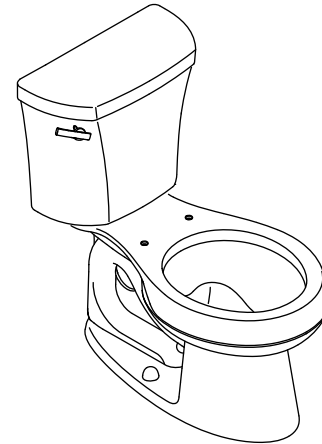




Features

- Vitreous china
- Round bowl
- Class Five® flushing system
- Polished chrome trip lever
- Less seat and supply
- 12" (305 mm) rough-in
- 1.28 gpf (4.8 lpf)
- 2-1/8" (54 mm) glazed trapway
- 10-1/2" (267 mm) x 7-3/4" (197 mm) water area
- 27-3/4" (705 mm) x 18" (457 mm) x 29-1/4" (743 mm)



Codes/Standards Applicable

Specified model meets or exceeds the following:

- ASME A112.19.2/CSA B45.1
- EPA WaterSense®

Colors/Finishes

- 0: White
- Other: Refer to Price Book for additional colors/finishes

Accessories

- 0: White
- CP: Polished Chrome
- Other: Refer to Price Book for additional colors/finishes

Specified Model

Model	Description	Trip Lever	Colors/Finishes	
K-3997	Class Five toilet	left-hand	<input type="checkbox"/> 0	<input type="checkbox"/> Other_____
K-3997-RA	Class Five toilet	right-hand	<input type="checkbox"/> 0	<input type="checkbox"/> Other_____
K-3997-RZ	Class Five toilet with Insuliner® and tank cover locks	right-hand	<input type="checkbox"/> 0	<input type="checkbox"/> Other_____
K-3997-T	Class Five toilet with tank cover locks	left-hand	<input type="checkbox"/> 0	<input type="checkbox"/> Other_____
K-3997-TR	Class Five toilet with tank cover locks	right-hand	<input type="checkbox"/> 0	<input type="checkbox"/> Other_____
K-3997-U	Class Five toilet with Insuliner	left-hand	<input type="checkbox"/> 0	<input type="checkbox"/> Other_____
K-3997-UR	Class Five toilet with Insuliner	right-hand	<input type="checkbox"/> 0	<input type="checkbox"/> Other_____
K-3997-UT	Class Five toilet with Insuliner and tank cover locks	left-hand	<input type="checkbox"/> 0	<input type="checkbox"/> Other_____

Product Specification

The toilet with round-front bowl shall be made of vitreous china. Toilet shall be 27-3/4" (705 mm) in length, 18" (457 mm) in width, and 29-1/4" (743 mm) in height with a 10-1/2" (267 mm) x 7-3/4" (197 mm) water area. Toilet shall be 1.28 gpf (4.8 lpf) with Class Five flushing system. Toilet shall have 2-1/8" (54 mm) glazed trapway. Toilet shall include polished chrome trip lever. Toilet shall be 12" (305 mm) rough-in. Toilet shall be less seat and supply. Toilet shall be Kohler Model K-3997-_____-_____-_____.

WELLWORTH®

Recommended Accessories

K-4639	Cachet® Quiet-Close™ round front seat with Quick-Release™ functionality	<input type="checkbox"/> 0		<input type="checkbox"/> Other_____
K-4689	Cachet seat with cover	<input type="checkbox"/> 0		<input type="checkbox"/> Other_____
K-7637	Angle supply with stop – 3/8" NPT		<input type="checkbox"/> CP	<input type="checkbox"/> Other_____

Technical Information

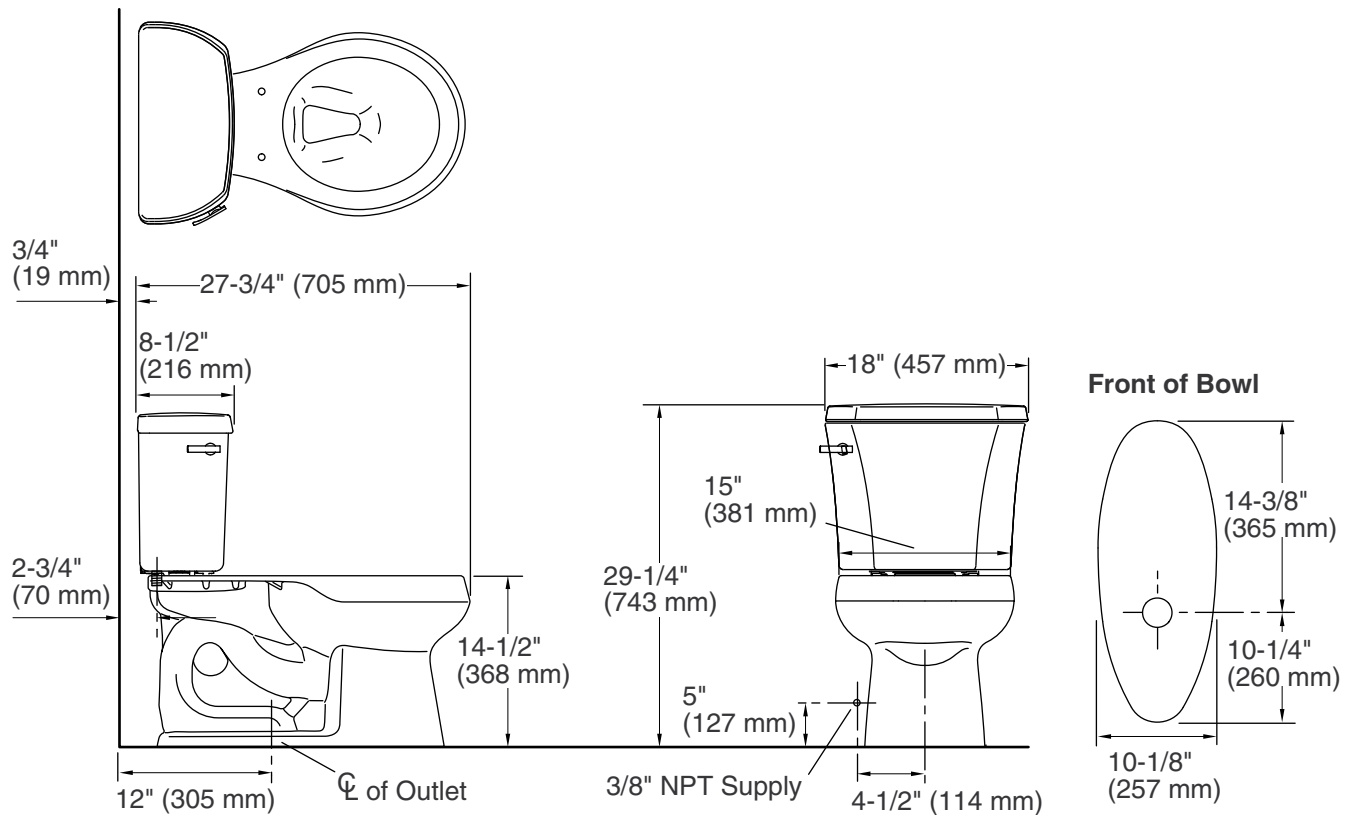
Fixture:	
Configuration	Two-piece, round
Water per flush	1.28 gpf (4.8 lpf)
Passageway	2-1/8" (54 mm)
Water area	10-1/2" (267 mm) x 7-3/4" (197 mm)
Water depth from rim	5-1/4" (133 mm)
Seat post hole centers	5-1/2" (140 mm)

Included components:

Bowl	K-4197
Tank	K-4467
Tank cover	1138565
Trip lever	K-9379
Bolt cap accessory pack	1013092

Installation Notes

Install this product according to the installation guide.



Product Diagram