

Features

- Vitreous china
- Without overflow
- Available with KOHLER Artist Editions designs
- Available as above-the-counter or wall-mount installation
- 16-1/4" (413 mm) diameter

Codes/Standards Applicable

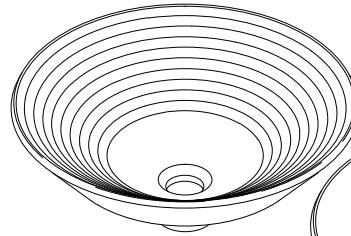
Specified model meets or exceeds the following:

- ADA
- ICC/ANSI A117.1
- CSA B651
- OBC
- ASME A112.19.2/CSA B45.1

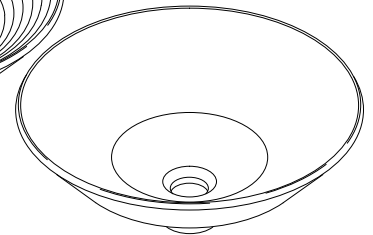
ABOVE-COUNTER BATHROOM SINK K-2191

ALSO K-2200, K-14223

ADA CSA B651 OBC



K-2191
K-2191-G



K-2200, K-14222
K-14223, K-45922

Colors/Finishes

- 0: White
- Other: Refer to Price Book for additional colors/finishes

Specified Model

Model	Description	Colors/Finishes	
K-2191	Above-counter bathroom sink	<input type="checkbox"/> 0	<input type="checkbox"/> Other _____
K-2191-G	Above-counter bathroom sink – glazed underside	<input type="checkbox"/> 0	<input type="checkbox"/> Other _____
K-2200	Above-counter bathroom sink	<input type="checkbox"/> 0	<input type="checkbox"/> Other _____
K-2200-G	Above-counter bathroom sink – glazed underside	<input type="checkbox"/> 0	<input type="checkbox"/> Other _____
K-14222	Above-counter bathroom sink – Artist Editions	<input type="checkbox"/> 0	<input type="checkbox"/> Other _____
K-14223	Above-counter bathroom sink – Artist Editions	<input type="checkbox"/> 0	<input type="checkbox"/> Other _____
K-45922	Above-counter bathroom sink – Artist Editions	<input type="checkbox"/> 0	<input type="checkbox"/> Other _____

Recommended Accessories

K-7114	Pop-up drain OR	<input type="checkbox"/> CP	<input type="checkbox"/> Other _____
K-7715	Bathroom sink grid drain with tailpiece	<input type="checkbox"/> CP	<input type="checkbox"/> Other _____
K-9018	P-trap	<input type="checkbox"/> CP	<input type="checkbox"/> Other _____
K-9655	Black wrought iron wall-mount bracket	<input type="checkbox"/> P5	

Product Specification

The bathroom sink shall be made of vitreous china. Bathroom sink shall be 16-1/4" (413 mm) in diameter. Bathroom sink shall be available for above-the-counter or wall-mount installation. Bathroom sink shall be without overflow. Bathroom sink shall be available with KOHLER Artist Editions designs. Bathroom sink shall be Kohler Model K-____-____ or K-____-____-____.

Technical Information

Fixture*:	
Bowl area	Ø 15-7/8" (403 mm)
Water depth	4-1/4" (108 mm)
Drain hole	Ø 1-3/4" (44 mm)
* Approximate measurements for comparison only.	

Included components:	
Adjustable linkage	84474
Cut-out template	1002980-7

Installation Notes

Install this product according to the installation guide.

Product does not have an overflow.

*Spout must be 5" (127 mm) long (min) for adequate clearance into the bathroom sink when installed with centerline as shown.

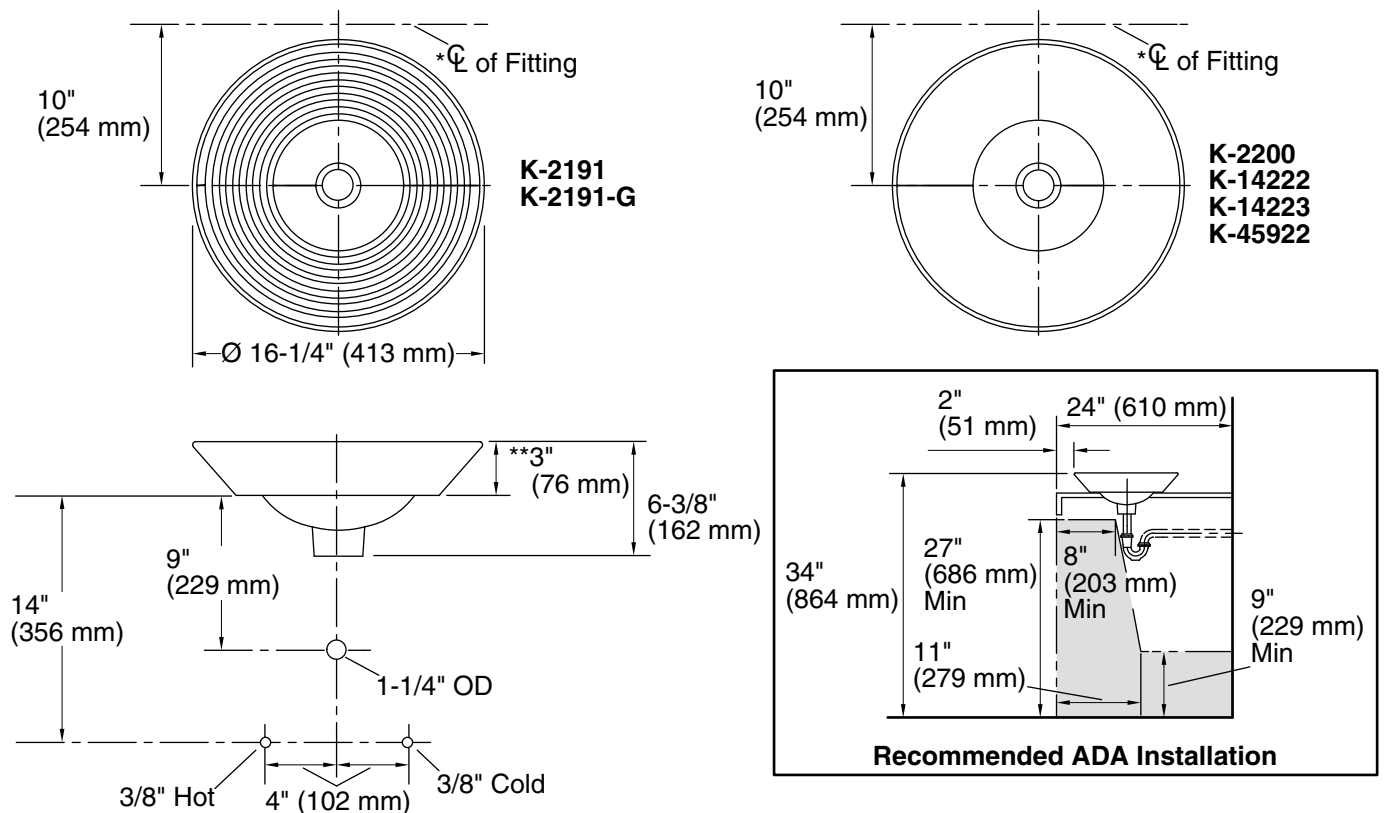
**Spout must be tall enough to clear 3" (76 mm) rim height and provide a 1" (25 mm) air gap per ASME A112.1.2

NOTICE: Countertop manufacturer or cutter **must** use the cut-out template provided with the product, or a current one provided by Kohler Co. (call 1-800-4-KOHLER). Kohler Co. is not responsible for cut-out errors when the incorrect cut-out template is used.

Will comply with **ADA** when installed per Section 606 Lavatories of the Act.

Will comply with **CSA B651** when installed per Clause 4.3.3 of the standard.

Will comply with **OBC** when installed per Clause 3.8.3.11.



Product Diagram

ABOVE-COUNTER BATHROOM SINK

Page 2 of 2
114430-4-BH

THE BOLD LOOK
OF **KOHLER**®