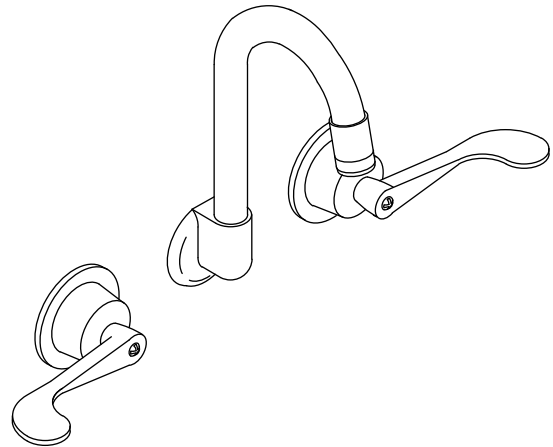


**Features**

- Brass construction
- Brass valve bodies
- Wristblade lever handles
- Valvet® valves
- Intended for shelf-back installations
- 3-3/8" (86 mm) gooseneck spout reach
- Stationary spout
- For 5-1/2" (140 mm) centers

**SHELF-BACK SINK FAUCET  
K-7302-5A**

**ADA** **CSA B651** **OBC**



**Codes/Standards Applicable**

Specified model meets or exceeds the following:

- ADA
- ICC/ANSI A117.1
- CSA B651
- OBC
- ASME A112.18.1/CSA B125.1
- NSF 61
- Energy Policy Act of 2005
- All applicable US Federal and State material regulations

**Colors/Finishes**

- CP: Polished Chrome

**Specified Model**

Model	Description	Colors/Finishes
K-7302-5A	Shelf-back sink faucet	<input type="checkbox"/> CP
<b>Optional Accessories</b>		
1160595	Medium Spray 0.35 gpm (1.32 lpm) – Insert only	<input type="checkbox"/> NA
_____	Additional flow options are available (refer to the Price Book)	<input type="checkbox"/> NA

**Product Specification**

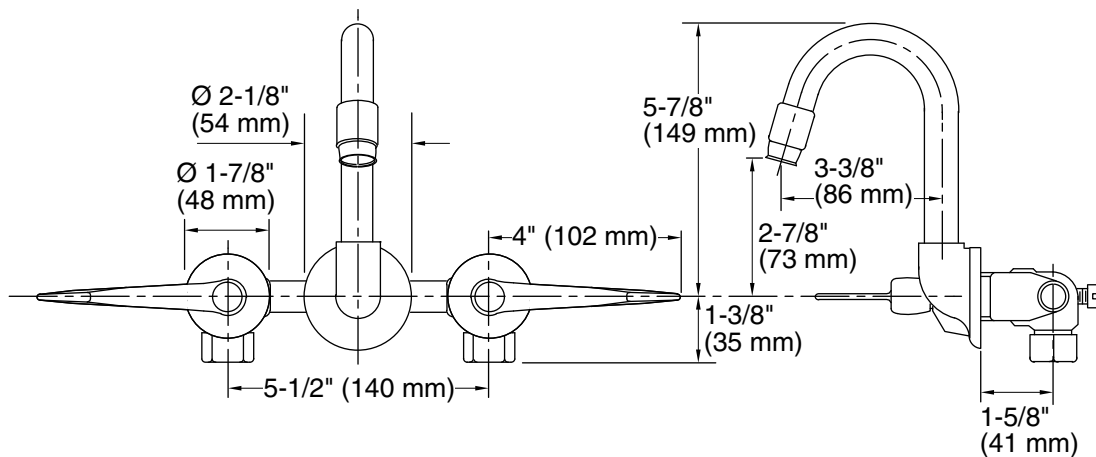
The two-handle shelf-back sink faucet shall be of brass construction and brass valve bodies. Product shall feature Valvet valves, 3-3/8" (86 mm) gooseneck spout reach, stationary spout, and wristblade lever handles. Product shall be intended for shelf-back installations. Product shall be for 5-1/2" (140 mm) centers. Faucet shall be Kohler Model K-7302-5A-CP.

# TRITON®

## Installation Notes

Install this product according to the installation guide.

**ADA, CSA B651, OBC** compliant when installed to the specific requirements of these regulations.



## Product Diagram