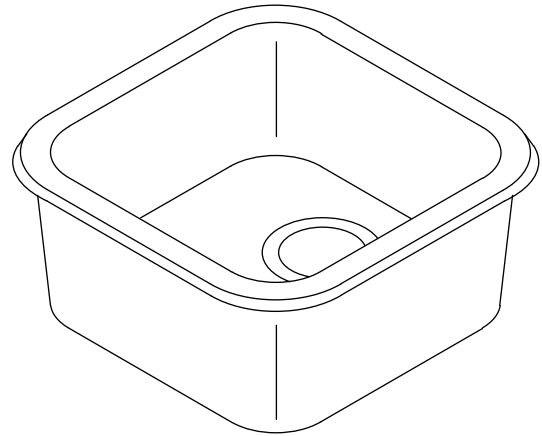


Features

- Fireclay
- Under-mount
- Single bowl
- Includes bottom bowl rack
- Includes installation hardware
- 16" (406 mm) x 16" (406 mm)

UNDER-MOUNT SINK

K-5803
ALSO K-14578



Codes/Standards Applicable

Specified model meets or exceeds the following:

- ASME A112.19.2/CSA B45.1

Colors/Finishes

- 0: White
- S3: Stoneware
- Other: Refer to Price Book for additional colors/finishes

Accessories

- CP: Polished Chrome
- Other: Refer to Price Book for additional colors/finishes

Specified Model

Model	Description	Colors/Finishes	
K-5803	Clay/Tones kitchen sink	<input type="checkbox"/> S3	<input type="checkbox"/> Other_____
K-14578-FR	Fruits of Labor™ kitchen sink	<input type="checkbox"/> 0	
K-14578-LC	Life in the Country™ kitchen sink	<input type="checkbox"/> 0	
Optional Accessories			
K-8801	Duostrainer® sink strainer	<input type="checkbox"/> CP	<input type="checkbox"/> Other_____

Product Specification

The under-mount sink shall be made of fireclay. Sink shall be under-mount with a single compartment. Sink shall include bottom bowl rack and installation hardware. Sink shall be 16" (406 mm) in length and 16" (406 mm) in width. Sink shall be Kohler Model K-_____-_____-_____.

CLAY/TONES™

Technical Information

Fixture*:	
Bowl area	16" (406 mm) x 16" (406 mm)
Water depth	7-3/16" (183 mm)
Drain hole	Ø 3-7/8" (98 mm)
* Approximate measurements for comparison only.	

Included components:	
Gasket	84724
Basin clamp accessory rack	52047
Bottom bowl rack	84745
Cutout template	115756-7

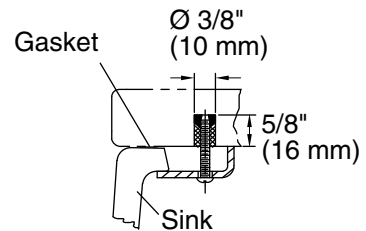
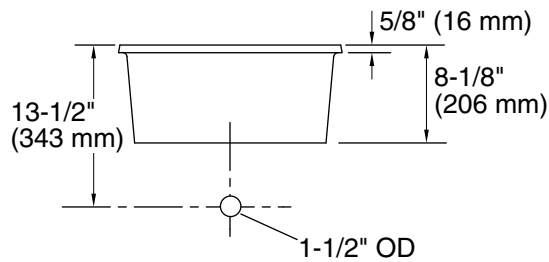
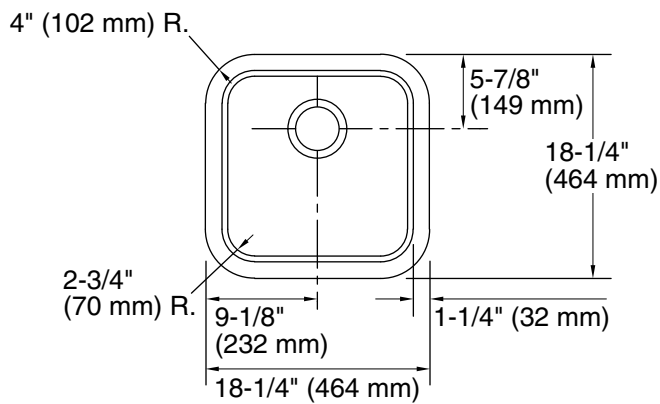
Installation Notes

Install this product according to the installation guide.

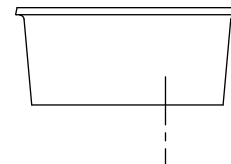
NOTICE: Countertop manufacturer or cutter must use the cut-out template provided with the product, or a current one provided by Kohler Co. (call 1-800-4KOHLER). Kohler Co. is not responsible for cutout errors when incorrect cut-out template is used.

Supplied bowl clamp assemblies require 1" (25 mm) minimum countertop thickness. Installer must supply hardware for thinner countertops.

For multiple bowl under-mount installations, a minimum distance of 3-1/4" (83 mm) is required between cutouts. Countertop supplier to determine required support.



Marble Slab Installation



Product Diagram