

Features

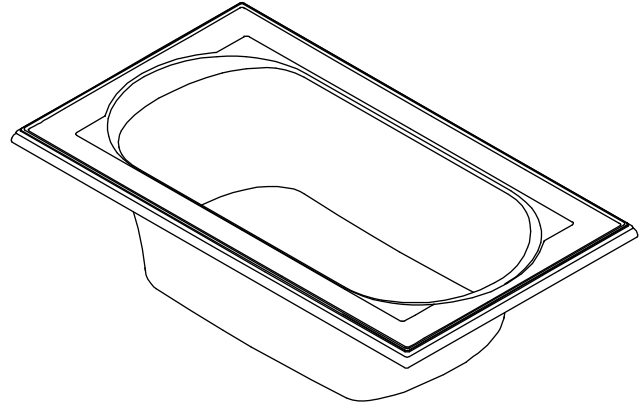
- Acrylic
- 72" (1829 mm) x 42" (1067 mm) x 22" (559 mm)

BATH
K-1417

Codes/Standards Applicable

Specified model meets or exceeds the following:

- CSA B45.5/IAPMO Z124



Colors/Finishes

- 0: White
- Other: Refer to Price Book for additional colors/finishes

Accessories:

- CP: Polished Chrome
- PB: Vibrant® Polished Brass
- Other: Refer to Price Book for additional colors/finishes

Specified Model

Model	Description	Colors/Finishes	
K-1417	Acrylic bath	<input type="checkbox"/> 0	<input type="checkbox"/> Other_____

Recommended Accessories			
K-7161-AF	Drain	<input type="checkbox"/> CP	<input type="checkbox"/> PB <input type="checkbox"/> Other_____

Product Specification

The bath shall be 72" (1829 mm) in length, 42" (1067 mm) in width, and 22" (559 mm) in height. Bath shall be made of acrylic. Bath shall be Kohler Model K-1417-_____.

MEMOIRS®

Technical Information

Fixture*:	
Bathing well	
Basin area, bottom	48" (1219 mm) x 27" (686 mm)
Basin area, top	60" (1524 mm) x 30" (762 mm)
Weight	86 lbs (39 kg)
To overflow:	
Water depth	16" (406 mm)
Capacity	94 gal (355.8 L)
Drop-in cut-out	70-1/2" (1791 mm) x 40-1/2" (1029 mm)

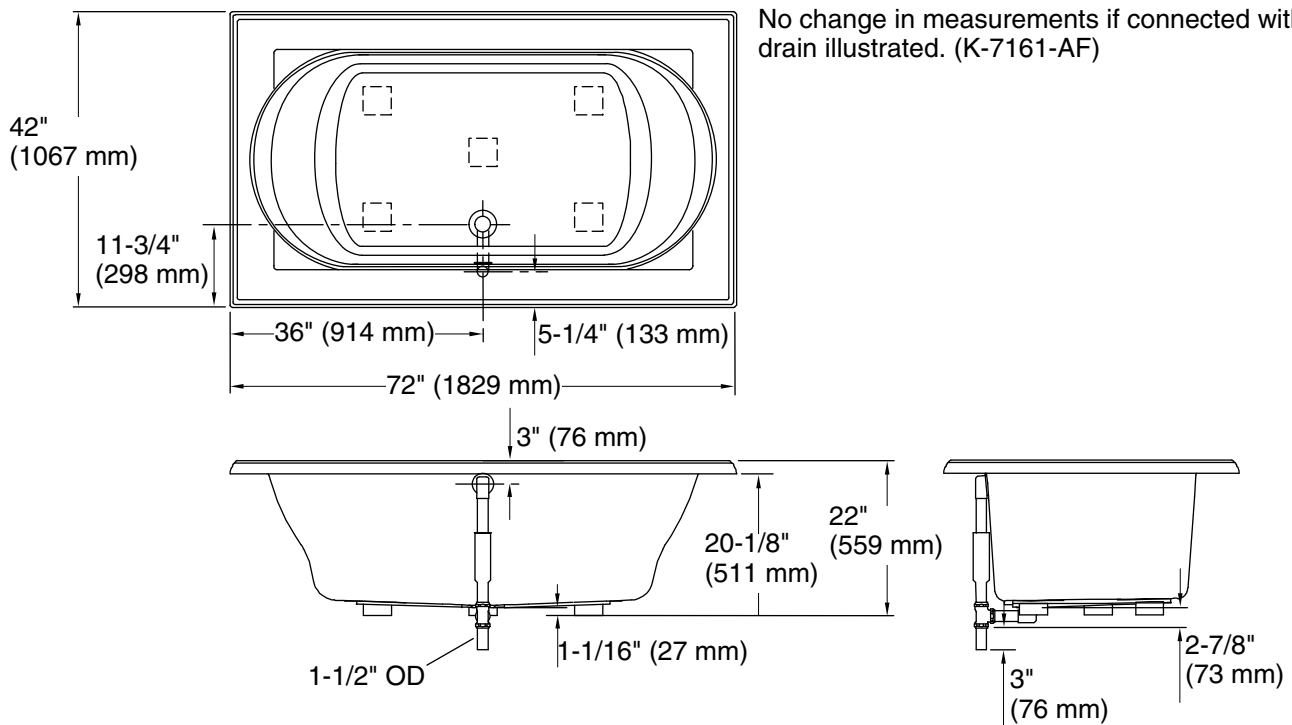
Installation Notes

Install this product according to the installation guide.

If installing a rim-mount faucet, make sure that there is no interference with drain overflow before drilling any holes. Consult local and national codes for minimum air gap requirements if installing a spout on the faucet deck.

This bath is designed for drop-in installation only. It is not suited for use in a three wall alcove with an overhead shower.

Floor support under this product must provide for a minimum of 43 lbs/square foot (208 kg/square meter) loading.



Product Diagram