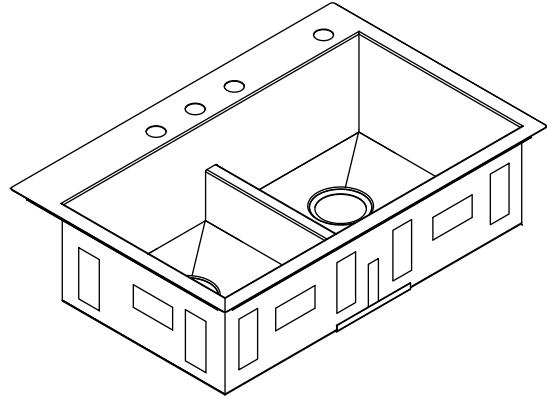


### Features

- 18-gauge stainless steel
- Top-mount or under-mount
- Double (equal) bowl
- Smart Divide™ lowered divider
- Includes bottom bowl rack (quantity of one)
- Includes installation hardware
- 33" (838 mm) x 22" (559 mm)

### DROP-IN/UNDER-MOUNT KITCHEN SINK K-3838



### Codes/Standards Applicable

Specified model meets or exceeds the following:

- ASME A112.19.3/CSA B45.4

### Colors/Finishes

- NA: None applicable

### Accessories

- CP: Polished Chrome
- ST: Stainless Steel
- NA: None applicable
- Other: Refer to Price Book for additional colors/finishes

### Specified Model

Model	Description	Colors/Finishes
K-3838-1	Drop-in/Under-mount kitchen sink – single-hole	<input type="checkbox"/> NA
K-3838-3	Drop-in/Under-mount kitchen sink – 3-hole	<input type="checkbox"/> NA
K-3838-4	Drop-in/Under-mount kitchen sink – 4-hole	<input type="checkbox"/> NA

Included Accessories		
K-6641	Bottom bowl rack (fits both left and right bowls, QTY = 1)	<input type="checkbox"/> ST

Optional Accessories			
K-8801	Duostrainer® sink strainer	<input type="checkbox"/> CP	<input type="checkbox"/> Other_____
1131881	Hardware kit for countertops with a 2-1/2" (64 mm) thickness or less		<input type="checkbox"/> NA

### Product Specification

The drop-in/under-mount kitchen sink shall be made of 18-gauge stainless steel. Sink shall feature double equal compartments and Smart Divide lowered divider. Sink shall include one bottom bowl rack and installation hardware. Sink shall be 33" (838 mm) in length, 22" (559 mm) in width. Sink shall be Kohler Model K-3838-\_\_\_\_-NA.

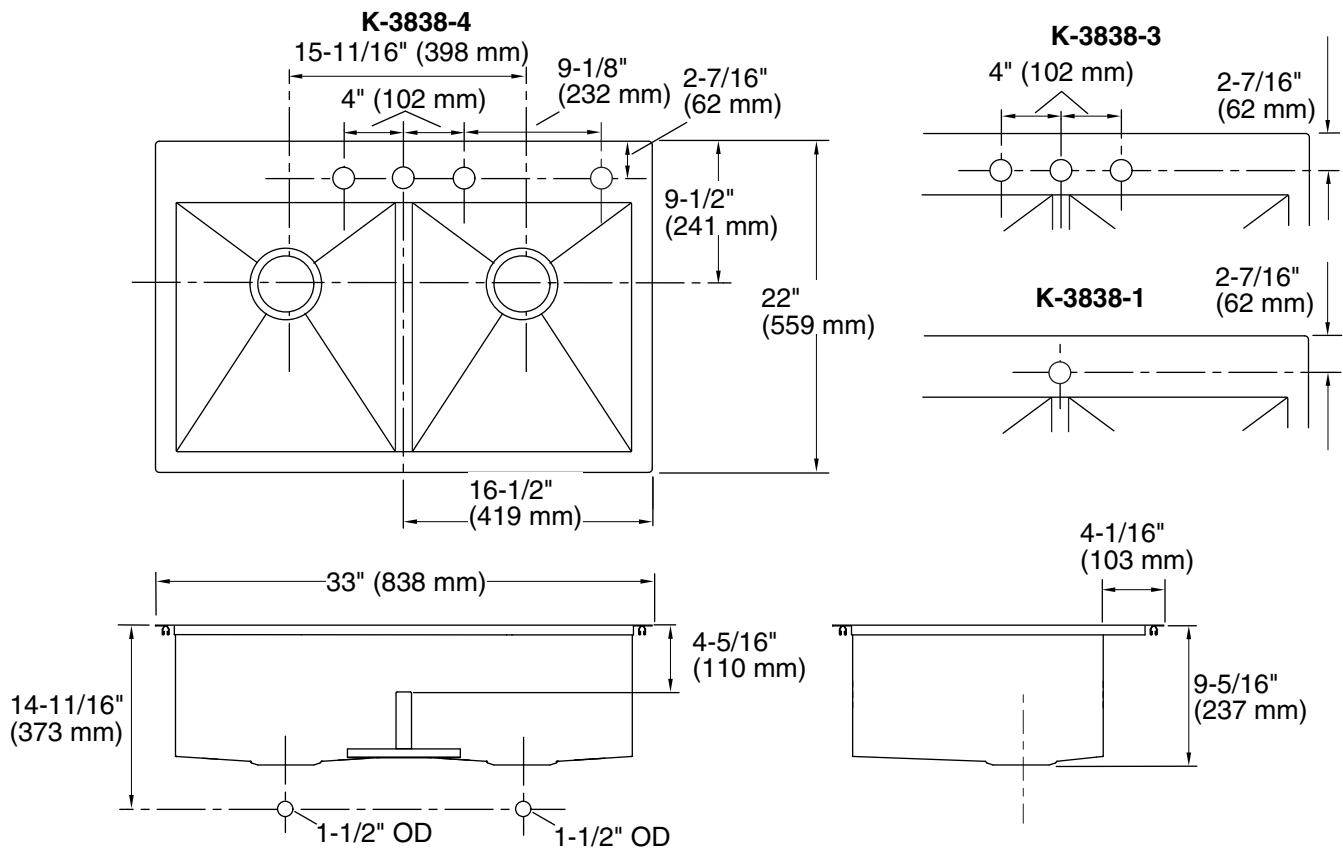
## Technical Information

Fixture*:	
Bowl area	14-9/16" (370 mm) x 16-9/16" (421 mm) 14-9/16" (370 mm) x 16-9/16" (421 mm)
Water depth	9" (229 mm)
Drain hole	Ø 3-5/8" (92 mm)
* Approximate measurements for comparison only.	

Included components:	
Hardware kit – drop-in	1130570
Cut-out template	1130821-7

## Installation Notes

Install this product according to the installation guide.



## Product Diagram