

Features

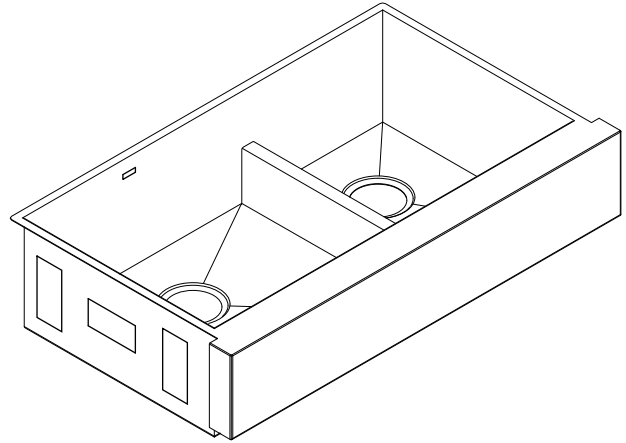
- 18-gauge stainless steel
- Under-mount
- Offset
- Smart Divide™ lowered divider
- Includes left (large) bottom bowl rack
- Includes installation hardware
- Use for standard 36" (914 mm) cabinet
- 35-1/2" (902 mm) x 21-1/4" (540 mm)

Codes/Standards Applicable

Specified model meets or exceeds the following:

- ASME A112.19.3/CSA B45.4

UNDER-MOUNT APRON FRONT KITCHEN SINK K-3945



Colors/Finishes

- NA: None applicable

Accessories

- CP: Polished Chrome
- ST: Stainless Steel
- Other: Refer to Price Book for additional colors/finishes

Specified Model

Model	Description	Colors/Finishes
K-3945	Under-mount apron front kitchen sink	<input type="checkbox"/> NA
Included Accessories		
K-6476	Bottom bowl rack (fits large sink bowl)	<input type="checkbox"/> ST
Optional Accessories		
K-8801	Duostrainer® sink strainer	<input type="checkbox"/> CP <input type="checkbox"/> Other_____
K-6477	Bottom bowl rack (fits small sink bowl)	<input type="checkbox"/> ST

Product Specification

The under-mount apron front sink shall be made of 18-gauge stainless steel. Sink shall feature offset bowls and Smart Divide™ lowered divider. Sink shall include left (large) bottom bowl rack and installation hardware. Sink shall be 35-1/2" (902 mm) in length, 21-1/4" (540 mm) in width. Sink shall be used for standard 36" (914 mm) cabinet. Sink shall be Kohler Model K-3945-NA.

Technical Information

Fixture*:	
Bowl area	19-11/16" (500 mm) x 17-3/16" (437 mm) 11-11/16" (297 mm) x 17-3/16" (437 mm)
Water depth	9" (229 mm)
Drain hole	Ø 3-11/16" (94 mm)
* Approximate measurements for comparison only.	

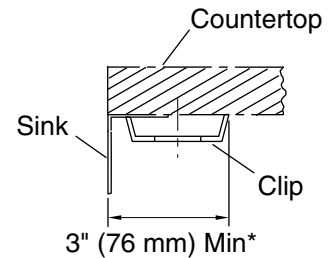
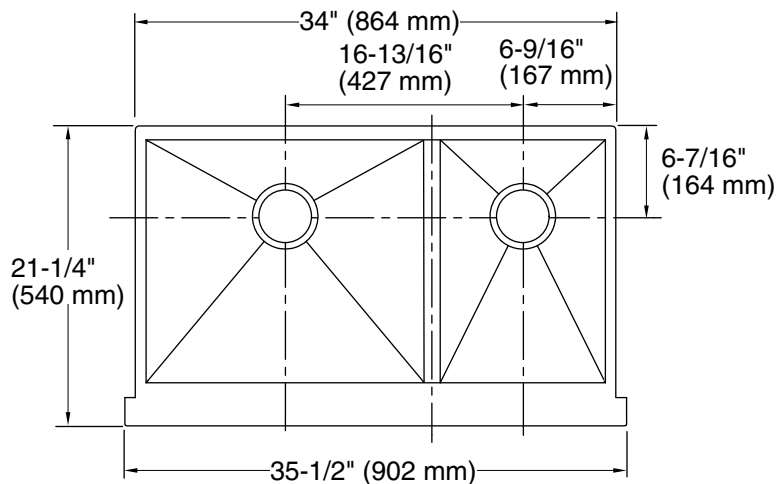
Included components:	
Hardware kit	91915
Cut-out template	1166719-7

Installation Notes

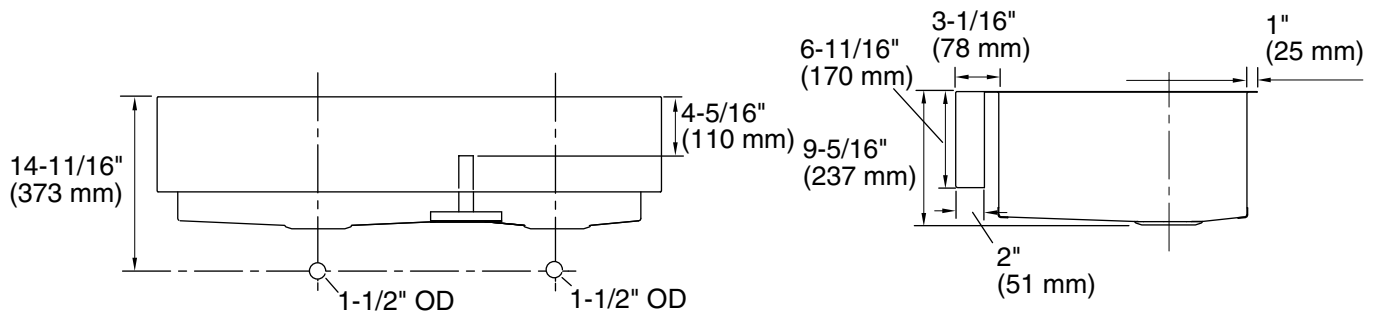
Install this product according to the installation guide.

Allow a minimum of 3" (76 mm) clearance for the back 1" (25 mm) sink rim flange for clip attachment.

The 3/4" (19 mm) side rim flanges are supported without using the clip attachment. See the installation guide for further instructions.



*Allow clearance around the back sink rim for clip attachment.



Product Diagram