

BATH WHIRLPOOL WITH HEATER K-1167-H2

ADA

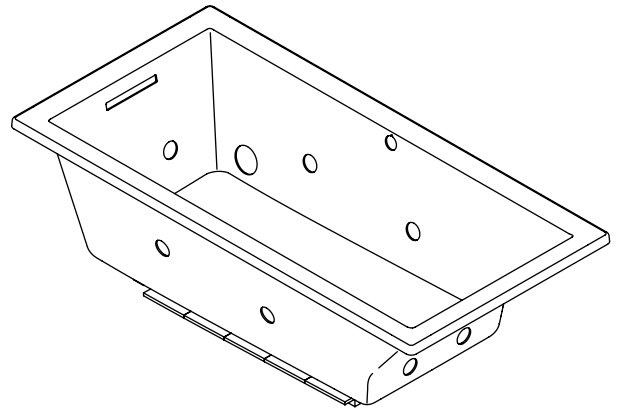
Features

- Acrylic
- Drop-in or undermount installation
- 8 Flexjet™ whirlpool jets
- Less all trim
- Variable speed pump with 1.5 kW heater and back-lit user keypad
- 60" (1524 mm) x 30" (762 mm) x 19" (483 mm)

Codes/Standards Applicable

Specified model meets or exceeds the following:

- ADA
- ICC/ANSI A117.1
- ASME A112.19.7
- ANSI Z124.1.2
- CSA B45.0
- CSA B45.5
- ASTM E162
- ASTM E662
- UL 1795



Colors/Finishes

- 0: White
- Other: Refer to Price Book for additional colors/finishes

Specified Model

Model	Description	Colors/Finishes	
K-1167-H2	Bath whirlpool with heater	<input type="checkbox"/> 0	<input type="checkbox"/> Other_____

Required Accessories			
K-7271	Clearflo slotted overflow brass bath drain OR	<input type="checkbox"/> CP	<input type="checkbox"/> PB <input type="checkbox"/> Other_____
K-7272	Clearflo slotted overflow bath drain – PVC pipe	<input type="checkbox"/> CP	<input type="checkbox"/> PB <input type="checkbox"/> Other_____
K-9698	Jet trim kit	<input type="checkbox"/> 0	<input type="checkbox"/> Other_____

Optional Accessories			
K-531	Undermount kit		<input type="checkbox"/> NA
K-1491	Pillow	<input type="checkbox"/> 0	<input type="checkbox"/> Other_____
K-1601	Footstop	<input type="checkbox"/> 0	<input type="checkbox"/> Other_____
K-1703	Remote control		<input type="checkbox"/> NA
K-9497	2-1/2" (64 mm) metal finish keypad trim	<input type="checkbox"/> CP <input type="checkbox"/> PB	<input type="checkbox"/> Other_____

Product Specification

The acrylic bath whirlpool shall be 60" (1524 mm) in length, 30" (762 mm) in width, and 19" (483 mm) in height. Bath shall be for drop-in or undermount installation. Bath shall have 8 Flexjet whirlpool jets. Bath shall be less all trim. Bath shall feature variable speed pump with 1.5 kW heater and back-lit user keypad. Bath shall be Kohler Model K-1167-H2-_____.

UNDERScore®

Technical Information

Fixture*:				
Bathing well:				
Basin area, bottom	42-3/8" (1076 mm) x 20" (508 mm)			
Basin area, top	54-3/8" (1381 mm) x 24-5/16" (618 mm)			
Weight	121 lbs (55 kg)			
To overflow:				
Water depth	15-1/16" (383 mm)			
Capacity	59.8 gal (226 L)			
* Approximate measurements for comparison only.				
Drop-in cut-out	59-1/2" (1511 mm) x 28-1/2" (724 mm)			
Pump	kW	V	Hz	A
Variable-speed	1.5	240	50/60	11

Required Electrical Service

Dedicated circuit required, protected with Class A Ground-Fault Circuit-Interrupter (GFCI) or Residual Current Device (RCD):

Pump/control: 220-240 V, 20 A, 50/60 Hz

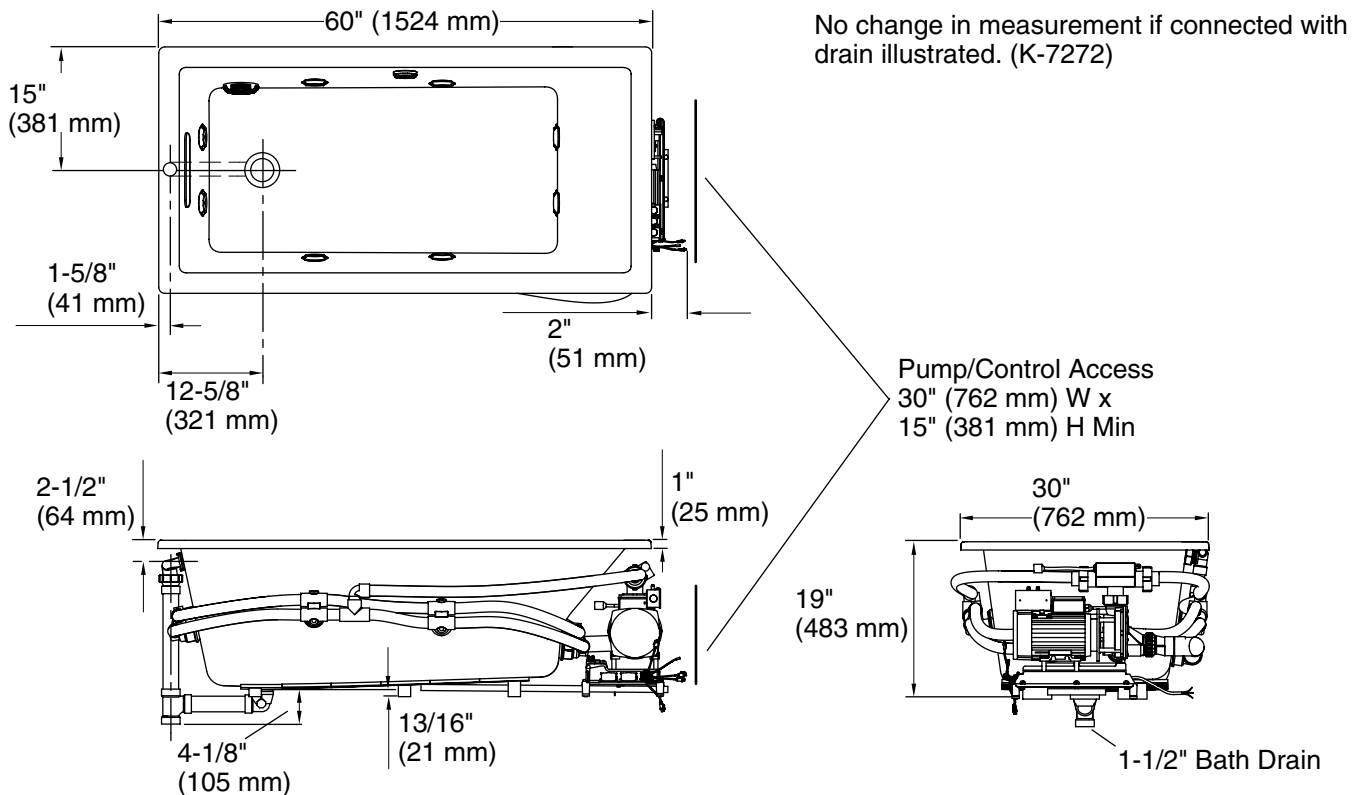
Installation Notes

Install this product according to the installation guide.

Will comply with **ADA** when installed per Section 607 Bathtubs of the Act.

Floor support under bath must provide for a minimum of 52 lbs/square foot (254 kg/square meter) loading.

Hot water supply should be 70% of capacity or greater. Installations will vary.



Product Diagram