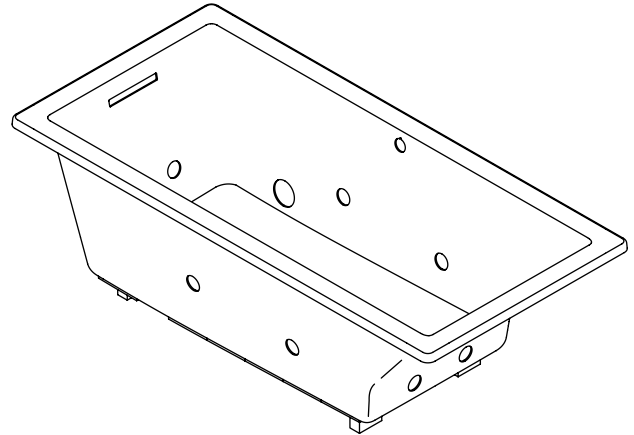


### Features

- Acrylic
- Drop-in or undermount installation
- 8 Flexjet™ whirlpool jets
- Less all trim
- Variable speed pump with 1.5 kW heater and back-lit user keypad
- 66" (1676 mm) x 32" (813 mm) x 22" (559 mm)

### BATH WHIRLPOOL WITH HEATER K-1822-H2



### Codes/Standards Applicable

Specified model meets or exceeds the following:

- ASME A112.19.7
- ANSI Z124.1.2
- CSA B45.0
- CSA B45.5
- ASTM E162
- ASTM E662
- UL 1795

### Colors/Finishes

- 0: White
- Other: Refer to Price Book for additional colors/finishes

### Specified Model

| Model                       | Description                                     | Colors/Finishes            |                                     |                             |                                     |
|-----------------------------|---|----------------------------|-------------------------------------|-----------------------------|-------------------------------------|
| K-1822-H2                   | Bath whirlpool with heater                      | <input type="checkbox"/> 0 | <input type="checkbox"/> Other_____ |                             |                                     |
| <b>Required Accessories</b> |   |                            |                                     |                             |                                     |
| K-7271                      | Clearflo slotted overflow brass bath drain      | <input type="checkbox"/>   | <input type="checkbox"/> CP         | <input type="checkbox"/> PB | <input type="checkbox"/> Other_____ |
| K-7272                      | Clearflo slotted overflow bath drain – PVC pipe | <input type="checkbox"/>   | <input type="checkbox"/> CP         | <input type="checkbox"/> PB | <input type="checkbox"/> Other_____ |
| K-9698                      | Jet trim kit                                    | <input type="checkbox"/> 0 | <input type="checkbox"/>            | <input type="checkbox"/>    | <input type="checkbox"/> Other_____ |
| <b>Optional Accessories</b> |   |                            |                                     |                             |                                     |
| K-550                       | Undermount kit                                  | <input type="checkbox"/>   | <input type="checkbox"/>            | <input type="checkbox"/> NA | <input type="checkbox"/>            |
| K-1491                      | Pillow  | <input type="checkbox"/> 0 | <input type="checkbox"/>            | <input type="checkbox"/>    | <input type="checkbox"/> Other_____ |
| K-1601                      | Footstop  | <input type="checkbox"/> 0 | <input type="checkbox"/>            | <input type="checkbox"/>    | <input type="checkbox"/> Other_____ |
| K-1703                      | Remote control                                  | <input type="checkbox"/>   | <input type="checkbox"/>            | <input type="checkbox"/> NA | <input type="checkbox"/>            |
| K-9497                      | 2-1/2" (64 mm) whirlpool keypad trim            | <input type="checkbox"/>   | <input type="checkbox"/> CP         | <input type="checkbox"/> PB | <input type="checkbox"/> Other_____ |

### Product Specification

The acrylic bath whirlpool shall be 66" (1676 mm) in length, 32" (813 mm) in width, and 22" (559 mm) in height. Bath shall be for drop-in or undermount installation. Bath shall have 8 Flexjet whirlpool jets. Bath shall be less all trim. Bath shall feature variable speed pump with 1.5 kW heater and back-lit user keypad. Bath shall be Kohler Model K-1822-H2-\_\_\_\_\_.

# UNDERSCORE®

## Technical Information

|  |                                       |     |       |    |
|--|---------------------------------------|-----|-------|----|
| Fixture*:  |                                       |     |       |    |
| Bathing well:  |                                       |     |       |    |
| Basin area, bottom                                   | 44-1/2" (1130 mm) x 22-5/16" (567 mm) |     |       |    |
| Basin area, top                                      | 59-5/8" (1514 mm) x 25-1/2" (648 mm)  |     |       |    |
| Weight   | 136 lbs (61.7 kg)                     |     |       |    |
| To overflow:   |                                       |     |       |    |
| Water depth  | 18" (457 mm)                          |     |       |    |
| Capacity   | 85.8 gal (325 L)                      |     |       |    |
| * Approximate measurements for comparison only.      |                                       |     |       |    |
| Drop-in cut-out 64-1/2" (1638 mm) x 30-1/2" (775 mm) |                                       |     |       |    |
| Pump   | kW                                    | V   | Hz    | A  |
| Variable-speed                                       | 1.5                                   | 240 | 50/60 | 11 |

## Required Electrical Service

Dedicated circuit required, protected with Class A Ground-Fault Circuit-Interrupter (GFCI) or Residual Current Device (RCD):

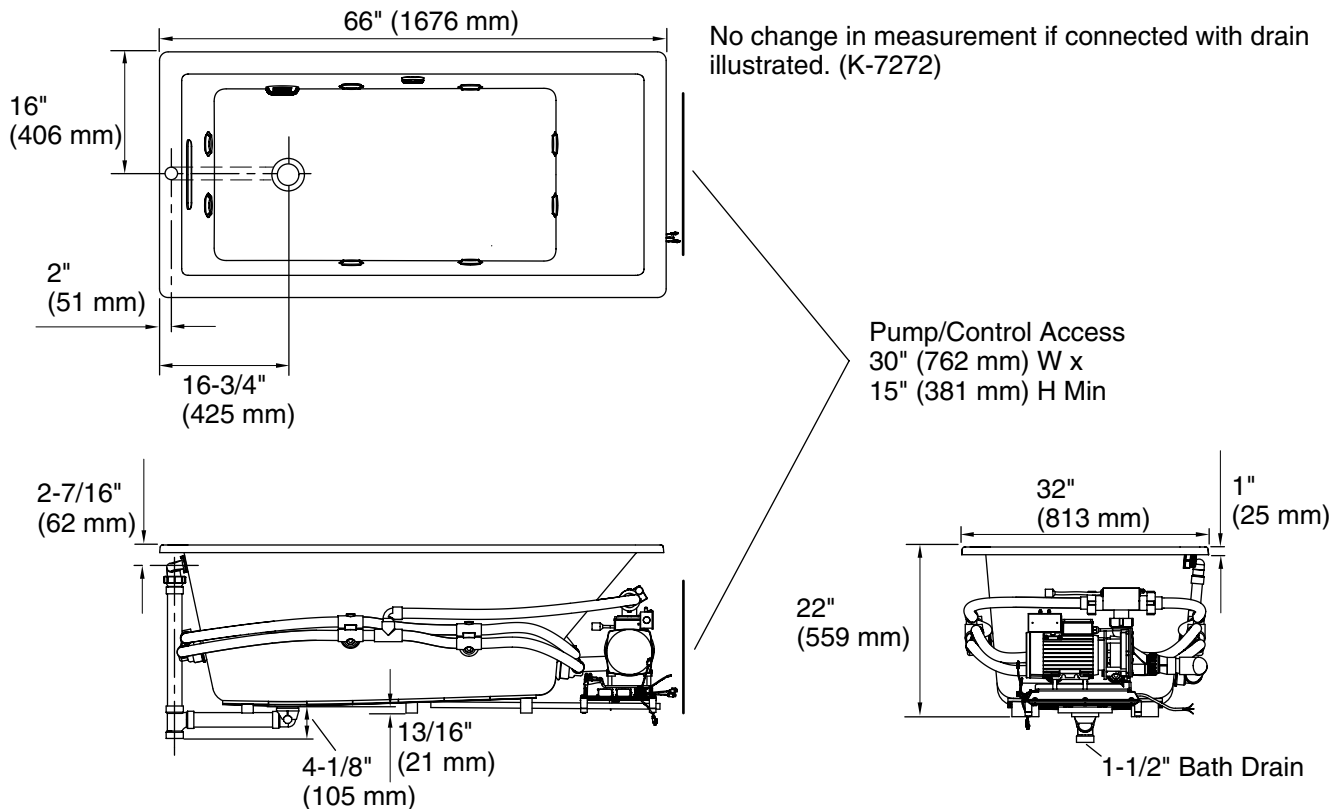
Pump/control: 220-240 V, 20 A, 50/60 Hz

## Installation Notes

Install this product according to the installation guide.

Floor support under bath must provide for a minimum of 83 lbs/square foot (406 kg/square meter) loading.

Hot water supply should be 70% of capacity or greater. Installations will vary.



## Product Diagram